

Broche série longue

Description de l'article/illustrations du produit



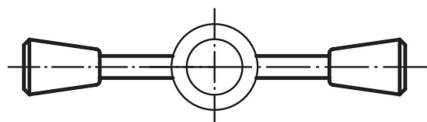
Description

Matière :

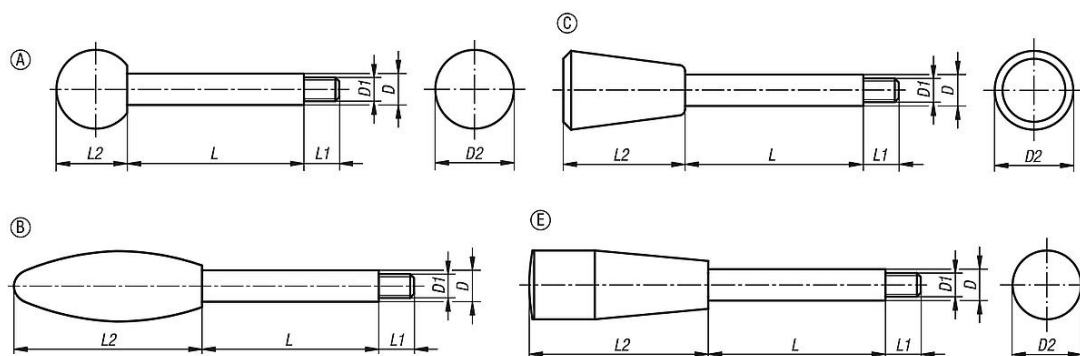
Poignée plastique thermdurçissable PF 31.
tige en acier 1.0718 ou inox 1.4305.

Finition :

Plastique thermdurçissable noir, poli brillant.
Acier bruni ou inox naturel.



Dessins



Aperçu des articles

Broche série longue

Référence	Matière du corps de base	Forme	D	D1	D2	L	L1	L2
K0179.208X35	acier	A	8	M6	20	35	9	18
K0179.208X50	acier	A	8	M6	20	50	9	18
K0179.208X65	acier	A	8	M6	20	65	9	18
K0179.210X50	acier	A	10	M8	25	50	13	23
K0179.210X65	acier	A	10	M8	25	65	13	23
K0179.210X80	acier	A	10	M8	25	80	13	23
K0179.210X100	acier	A	10	M8	25	100	13	23
K0179.212X65	acier	A	12	M10	32	65	15	29
K0179.212X80	acier	A	12	M10	32	80	15	29
K0179.212X100	acier	A	12	M10	32	100	15	29
K0179.212X125	acier	A	12	M10	32	125	15	29
K0179.214X80	acier	A	14	M12	36	80	16	33
K0179.214X100	acier	A	14	M12	36	100	16	33
K0179.214X125	acier	A	14	M12	36	125	16	33

Broche série longue

Aperçu des articles

Référence	Matière du corps de base	Forme	D	D1	D2	L	L1	L2
K0179.214X160	acier	A	14	M12	36	160	16	33
K0179.1208X35	acier inoxydable	A	8	M6	20	35	9	18
K0179.1208X50	acier inoxydable	A	8	M6	20	50	9	18
K0179.1208X65	acier inoxydable	A	8	M6	20	65	9	18
K0179.1210X50	acier inoxydable	A	10	M8	25	50	13	23
K0179.1210X65	acier inoxydable	A	10	M8	25	65	13	23
K0179.1210X80	acier inoxydable	A	10	M8	25	80	13	23
K0179.1210X100	acier inoxydable	A	10	M8	25	100	13	23
K0179.1212X65	acier inoxydable	A	12	M10	32	65	15	29
K0179.1212X80	acier inoxydable	A	12	M10	32	80	15	29
K0179.1212X100	acier inoxydable	A	12	M10	32	100	15	29
K0179.1212X125	acier inoxydable	A	12	M10	32	125	15	29
K0179.1214X80	acier inoxydable	A	14	M12	36	80	16	33
K0179.1214X100	acier inoxydable	A	14	M12	36	100	16	33
K0179.1214X125	acier inoxydable	A	14	M12	36	125	16	33
K0179.1214X160	acier inoxydable	A	14	M12	36	160	16	33
K0179.708X35	acier	B	8	M6	23	35	9	60
K0179.708X50	acier	B	8	M6	23	50	9	60
K0179.708X65	acier	B	8	M6	23	65	9	60
K0179.710X50	acier	B	10	M8	26	50	13	70
K0179.710X65	acier	B	10	M8	26	65	13	70
K0179.710X80	acier	B	10	M8	26	80	13	70
K0179.710X100	acier	B	10	M8	26	100	13	70
K0179.712X65	acier	B	12	M10	35	65	15	85
K0179.712X80	acier	B	12	M10	35	80	15	85
K0179.712X100	acier	B	12	M10	35	100	15	85
K0179.712X125	acier	B	12	M10	35	125	15	85
K0179.714X80	acier	B	14	M12	35	80	16	85
K0179.714X100	acier	B	14	M12	35	100	16	85
K0179.714X125	acier	B	14	M12	35	125	16	85
K0179.714X160	acier	B	14	M12	35	160	16	85
K0179.1708X35	acier inoxydable	B	8	M6	23	35	9	60
K0179.1708X50	acier inoxydable	B	8	M6	23	50	9	60
K0179.1708X65	acier inoxydable	B	8	M6	23	65	9	60
K0179.1710X50	acier inoxydable	B	10	M8	26	50	13	70
K0179.1710X65	acier inoxydable	B	10	M8	26	65	13	70
K0179.1710X80	acier inoxydable	B	10	M8	26	80	13	70
K0179.1710X100	acier inoxydable	B	10	M8	26	100	13	70
K0179.1712X65	acier inoxydable	B	12	M10	35	65	15	85
K0179.1712X80	acier inoxydable	B	12	M10	35	80	15	85
K0179.1712X100	acier inoxydable	B	12	M10	35	100	15	85
K0179.1712X125	acier inoxydable	B	12	M10	35	125	15	85
K0179.1714X80	acier inoxydable	B	14	M12	35	80	16	85
K0179.1714X100	acier inoxydable	B	14	M12	35	100	16	85
K0179.1714X125	acier inoxydable	B	14	M12	35	125	16	85
K0179.1714X160	acier inoxydable	B	14	M12	35	160	16	85
K0179.408X35	acier	C	8	M6	20	35	9	31
K0179.408X50	acier	C	8	M6	20	50	9	31
K0179.408X65	acier	C	8	M6	20	65	9	31
K0179.410X50	acier	C	10	M8	25	50	13	38
K0179.410X65	acier	C	10	M8	25	65	13	38
K0179.410X80	acier	C	10	M8	25	80	13	38
K0179.410X100	acier	C	10	M8	25	100	13	38
K0179.412X65	acier	C	12	M10	30	65	15	46
K0179.412X80	acier	C	12	M10	30	80	15	46
K0179.412X100	acier	C	12	M10	30	100	15	46
K0179.412X125	acier	C	12	M10	30	125	15	46
K0179.414X80	acier	C	14	M12	35	80	16	53
K0179.414X100	acier	C	14	M12	35	100	16	53
K0179.414X125	acier	C	14	M12	35	125	16	53
K0179.414X160	acier	C	14	M12	35	160	16	53

Broche série longue

Aperçu des articles

Référence	Matière du corps de base	Forme	D	D1	D2	L	L1	L2
K0179.1408X35	acier inoxydable	C	8	M6	20	35	9	31
K0179.1408X50	acier inoxydable	C	8	M6	20	50	9	31
K0179.1408X65	acier inoxydable	C	8	M6	20	65	9	31
K0179.1410X50	acier inoxydable	C	10	M8	25	50	13	38
K0179.1410X65	acier inoxydable	C	10	M8	25	65	13	38
K0179.1410X80	acier inoxydable	C	10	M8	25	80	13	38
K0179.1410X100	acier inoxydable	C	10	M8	25	100	13	38
K0179.1412X65	acier inoxydable	C	12	M10	30	65	15	46
K0179.1412X80	acier inoxydable	C	12	M10	30	80	15	46
K0179.1412X100	acier inoxydable	C	12	M10	30	100	15	46
K0179.1412X125	acier inoxydable	C	12	M10	30	125	15	46
K0179.1414X80	acier inoxydable	C	14	M12	35	80	16	53
K0179.1414X100	acier inoxydable	C	14	M12	35	100	16	53
K0179.1414X125	acier inoxydable	C	14	M12	35	125	16	53
K0179.1414X160	acier inoxydable	C	14	M12	35	160	16	53
K0179.608X35	acier	E	8	M6	17	35	9	45
K0179.608X50	acier	E	8	M6	17	50	9	45
K0179.608X65	acier	E	8	M6	17	65	9	45
K0179.610X50	acier	E	10	M8	23	50	13	61
K0179.610X65	acier	E	10	M8	23	65	13	61
K0179.610X80	acier	E	10	M8	23	80	13	61
K0179.610X100	acier	E	10	M8	23	100	13	61
K0179.612X65	acier	E	12	M10	29	65	15	71
K0179.612X80	acier	E	12	M10	29	80	15	71
K0179.612X100	acier	E	12	M10	29	100	15	71
K0179.612X125	acier	E	12	M10	29	125	15	71
K0179.614X80	acier	E	14	M12	29	80	16	71
K0179.614X100	acier	E	14	M12	29	100	16	71
K0179.614X125	acier	E	14	M12	29	125	16	71
K0179.614X160	acier	E	14	M12	29	160	16	71
K0179.1608X35	acier inoxydable	E	8	M6	17	35	9	45
K0179.1608X50	acier inoxydable	E	8	M6	17	50	9	45
K0179.1608X65	acier inoxydable	E	8	M6	17	65	9	45
K0179.1610X50	acier inoxydable	E	10	M8	23	50	13	61
K0179.1610X65	acier inoxydable	E	10	M8	23	65	13	61
K0179.1610X80	acier inoxydable	E	10	M8	23	80	13	61
K0179.1610X100	acier inoxydable	E	10	M8	23	100	13	61
K0179.1612X65	acier inoxydable	E	12	M10	29	65	15	71
K0179.1612X80	acier inoxydable	E	12	M10	29	80	15	71
K0179.1612X100	acier inoxydable	E	12	M10	29	100	15	71
K0179.1612X125	acier inoxydable	E	12	M10	29	125	15	71
K0179.1614X80	acier inoxydable	E	14	M12	29	80	16	71
K0179.1614X100	acier inoxydable	E	14	M12	29	100	16	71
K0179.1614X125	acier inoxydable	E	14	M12	29	125	16	71
K0179.1614X160	acier inoxydable	E	14	M12	29	160	16	71